

OTONAM 300

ENT treatment unit in its maximum expression



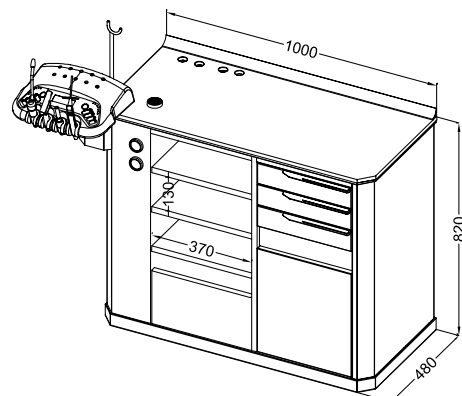
→ **Versatile to any working style**

Designed to deal with different areas of application like chair-side treatment, outpatient clinics and private offices.

Hi-tech treatment unit, the monoblock metal construction and the best ergonomic and technical solutions ensure high performance and optimal functionality in your clinic.

The equipment console with easy positioning, helps maintain a correct and natural posture.

The design combines style and progress, key factors to achieve the trust and fidelity of patients.



OTONAM 200

A great ENT unit in a compact version



→ **Personal in terms of possibilities and convincing in terms of performance.**

Under the simplicity of its design, it hides a treatment unit of great technical complexity, achieved by its monoblock metal construction and the best ergonomic solutions, to ensure the professional high performance and optimal functionality in the clinic.

The equipment console with easy positioning, helps to maintain a correct and natural posture.

The design combines style and progress, key factors to achieve patients trust and fidelity.

